

AWNINGS

Introduction

This document pertains to all Lippert slide-toppers.

Complete this form in its entirety. Provide all photos as requested.

Record the following unit information for expedited Solera® Slide Topper identification and service.

VIN: _____

Make: _____

Model: _____

DOM (Date of Manufacture): _____

DOP (Date of Purchase): _____

Required Photo Checklist

Below is a checklist of all photos (or videos) that need to be submitted:

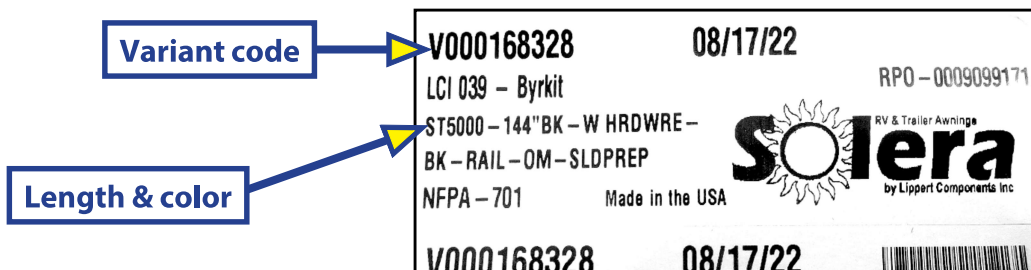
- Variant Code label (Fig. 1)
- Tape measure recording of T-molding-to-awning rail (Fig. 3, Dim A)
- Access plates square and level verification (Figs. 4A and 5A)
- Slide topper installation: Right-hand side view (Fig. 6)
- Slide topper installation: Left-hand side view (Fig. 6)
- Slide topper installation: Front, straight-on view (Fig. 6)
- Any additional photos/videos deemed necessary to show a clear defect in the slide topper.

Procedure

1. Make sure the slide topper is extended enough to visually see the variant code label (Fig. 1) or to allow the use of a tape measure. Provide a photo of the variant label.

NOTE: The variant code label is located near the unit wall, underneath the fabric on the right side of the slide topper while facing the unit.

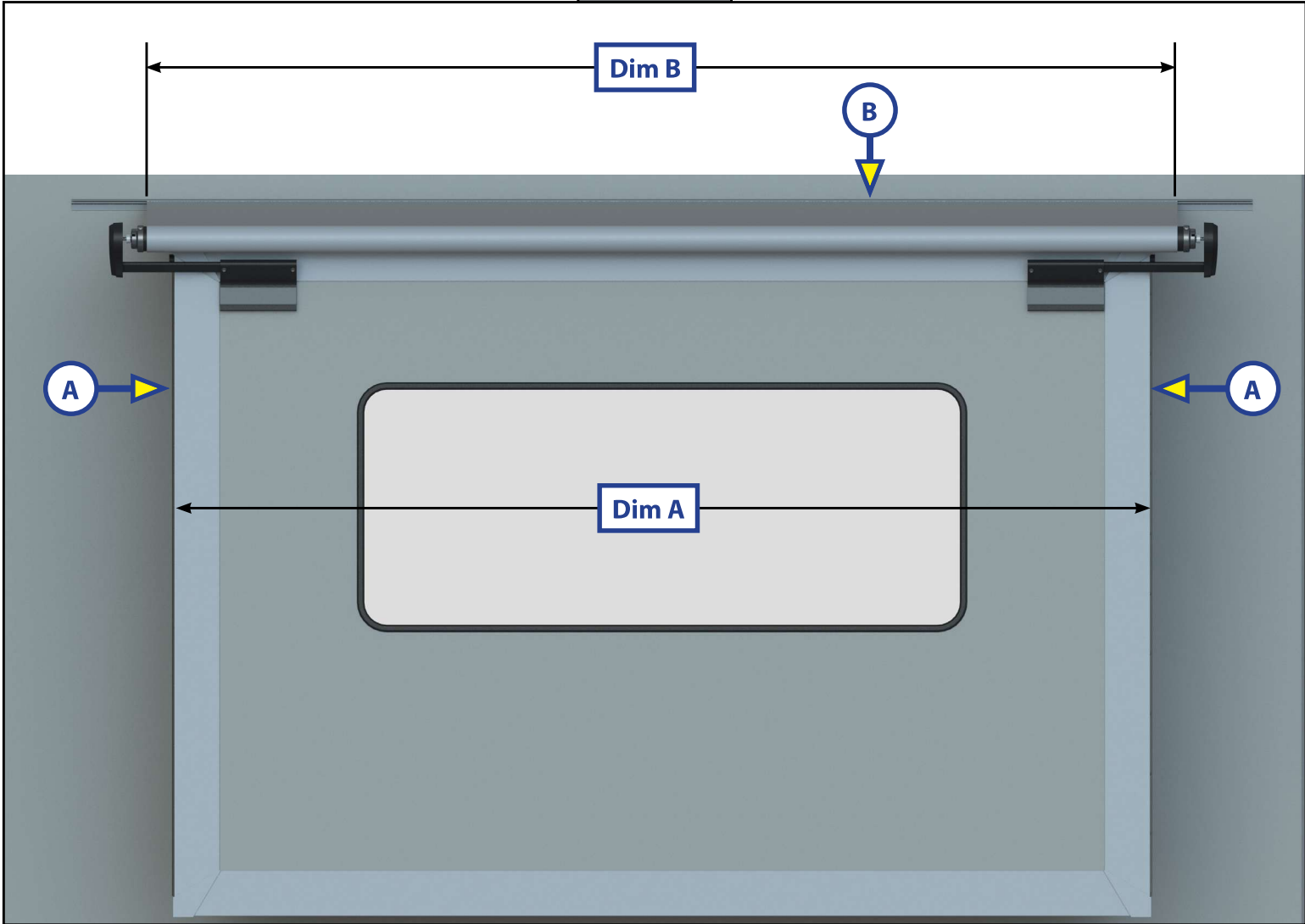
Fig. 1
Provide a Photo



AWNINGS

2. Locate the T-molding flange (Fig. 2A) and measure from outside of flange edge to outside of flange edge (Fig. 2, Dim A)—flange-to-flange.
Record this measurement. _____
3. From the fabric top (Fig. 2B), measure from outside edge of the fabric to the outside edge of the fabric (Fig. 2, Dim B)—edge-to-edge.
Record this measurement. _____

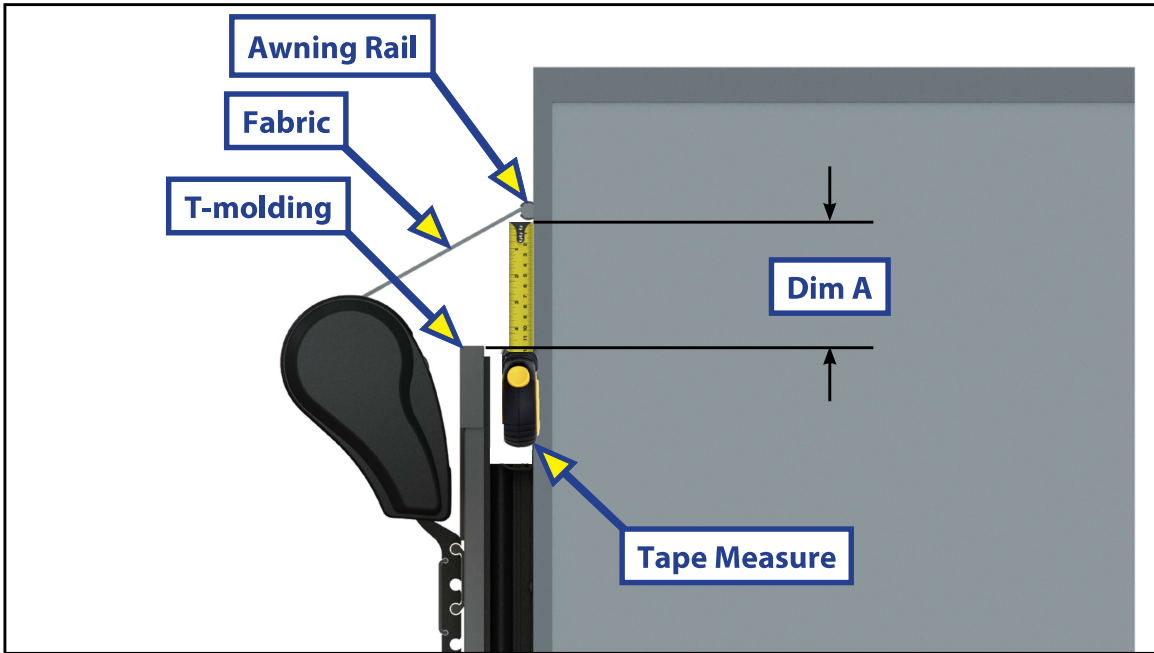
Fig. 2



AWNINGS

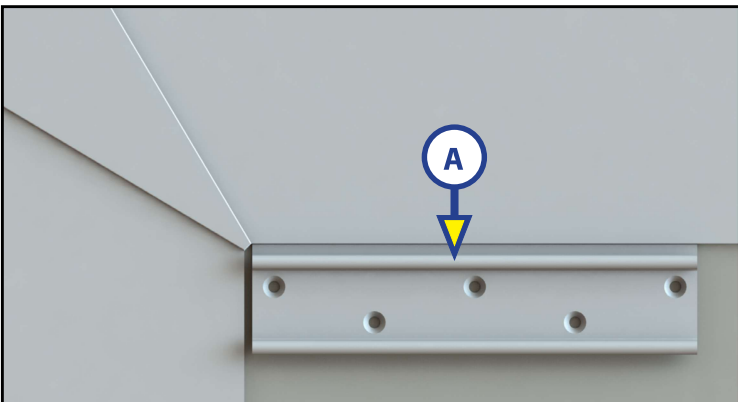
4. Measure from the top of the T-molding to the bottom of the awning rail (Fig. 3, Dim A)—T-molding-to-awning rail.
Record this measurement. _____
5. Provide a photo of the tape measure recording the measurement from the top of the T-molding to the bottom of the awning rail (Fig. 3, Dim A).

Fig. 3
Provide a Photo



6. Verify access plates (Figs. 4A and 5A) are mounted square and level. Provide photo of installation.

Fig. 4
Provide a Photo



Access plates mounted against T-molding.

Fig. 5
Provide a Photo



Access plates mounted on T-molding.

AWNINGS

7. Provide three photos of slide topper installation (Fig. 6):
- From right-hand side
 - From left-hand side
 - From straight on

NOTE: Slide-topper fabric will be longer than the room length so it can extend over the top of the room.

Fig. 6

Provide 3 Photos



NOTE: Lippert reserves the right to request additional information, such as more photos and/or videos, to further clarify the submitted concern.