

Pre-Auth #821173

Heather Kasprzak <hkasprzak@granddesignrv.com>  
To: Alix Mongiat <alix@dealer-advisors.com>

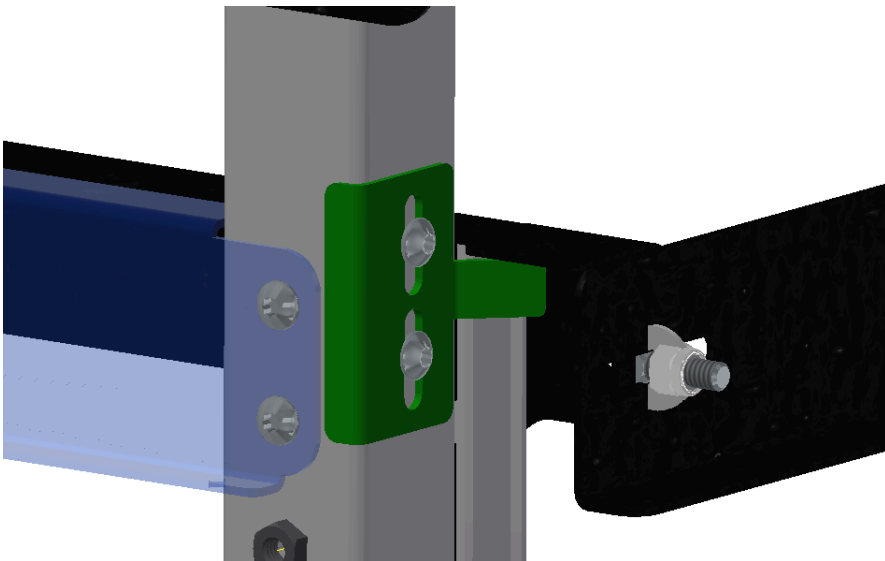
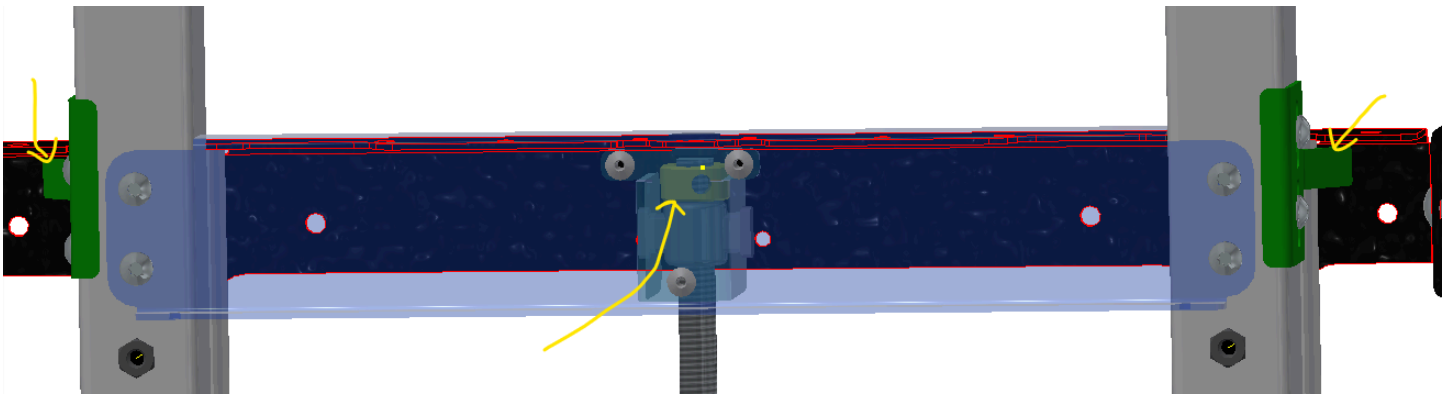
Thu, Nov 21, 2024 at 8:45 AM

This is approved on RGA #11212024004 for .50 hours to add brackets to straighten the lift, they will need (1) TV209-117 brackets & (4) UO115-305 screws. We can send these directly if needed, we would just need the shipping information.

*To help hold the TV more square when fully extended we can send a few brackets they can install on the side of the extrusion to adjust that. It might still travel crooked but square up when it gets fully extended.*

*The brackets to send are **TV209-117 (2)** and screws **UO115-305 (4)***

*To install they screw into the side of the extrusion when the TV lift is fully extended. Screw the brackets in the middle of the slot so they can adjust it up or down as needed. When fully extended the 2 green brackets should stop on the top of the frame the same time the yellow stop collar hits so it stabilizes the lift and square. See image*



[Quoted text hidden]