

LIPPERT
COMPONENTS

BOWING BAGGAGE DOOR SPLINT PLATE INSTALLATION

TI-323

DOORS

Purpose

The purpose of this document is to describe the procedure for adding a splint plate across the seam of a baggage or cargo door, where the seam is located on the bottom of the door, at the latch. This will provide additional strength to the door at the latch.

Perform this door frame repair only on the bottom or side frame of the door. The bottom or side areas of the door are the only seams that are affected.

Resources Required

- 1-2 persons, depending on the task
- POP rivet tool with assorted adapters
- Electric or cordless drill
- 1/8" diameter drill bit
- Non-permanent method of marking

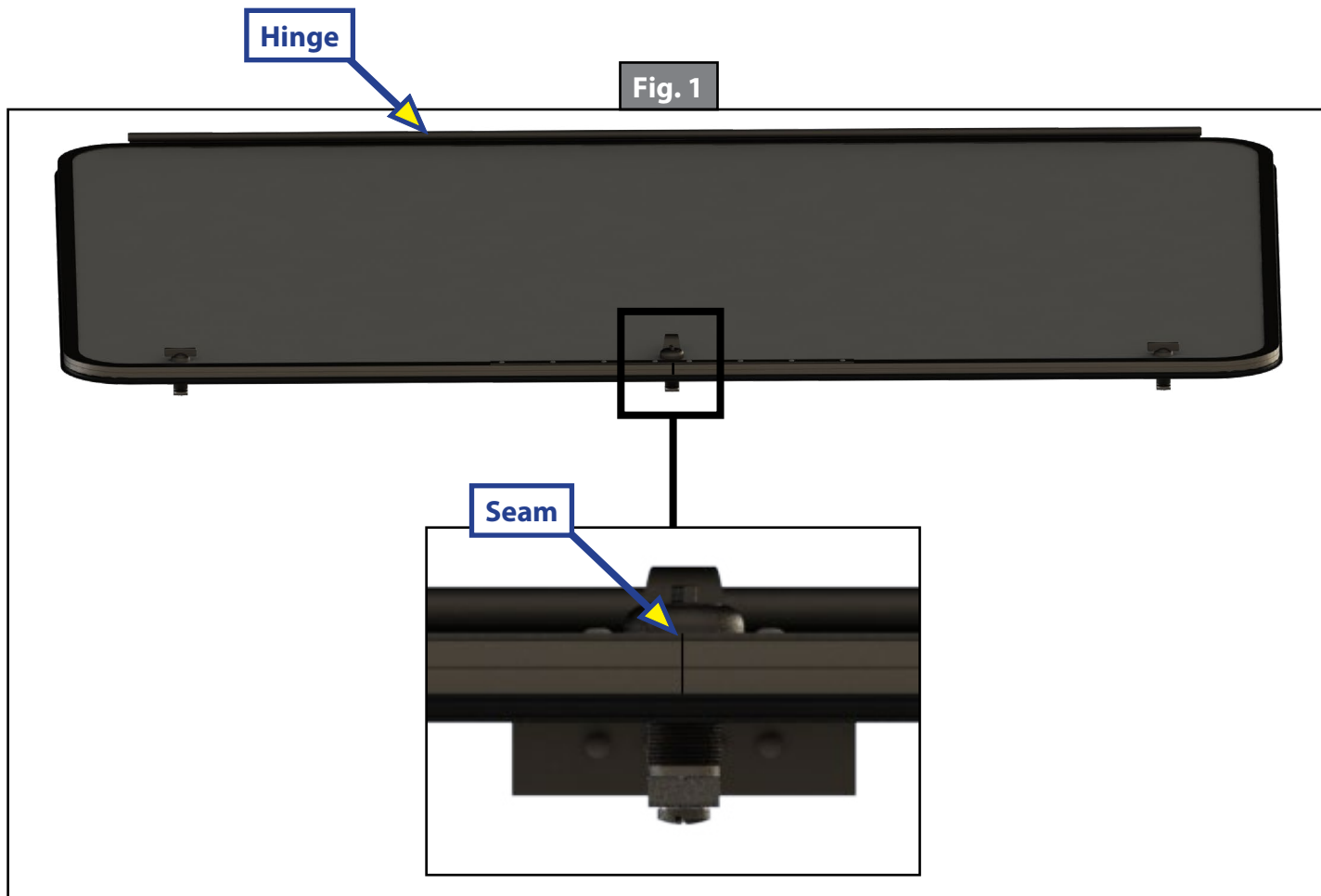
Preparation

1. Use the Splint Plate Kit Chart to determine the proper part numbers and color to match the cargo/baggage door being serviced.

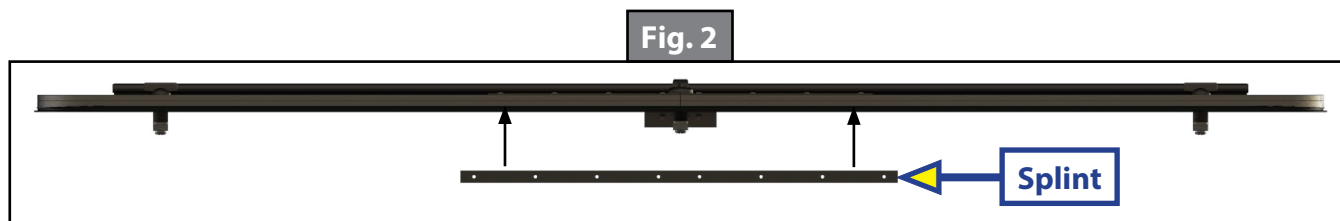
Splint Plate Kit Chart		
Kit #	Kit Description	Qty
804534	Splint Plate Kit, DR07/85/97, Black	1
803913	Splint Plate, Black	1
235098	POP Rivet (0.125" x 0.265"), AD, 42 BS, Black	8
804535	Splint Plate Kit, DR07/85/97, White	1
803912	Splint Plate, White	1
235097	POP Rivet (0.125" x 0.265"), AD, 42 BS, White	8
805473	Splint Plate Kit, DR07/85/97, Mill	1
803911	Splint Plate, Mill	1
235097	POP Rivet (0.125" x 0.265"), AD, 42 BS, White	8
805474	Splint Plate Kit, DR07/85/97, Champagne	1
803915	Splint Plate, Champagne	1
235097	POP Rivet (0.125" x 0.265"), AD, 42 BS, White	8
805475	Splint Plate Kit, DR07/85/97, Grand Ivory	1
803917	Splint Plate, Grand Ivory	1
235097	POP Rivet (0.125" x 0.265"), AD, 42 BS, White	8
805476	Splint Plate Kit, DR07/85/97, HiHo Silver	1
803914	Splint Plate, HiHo Silver	1
235097	POP Rivet (0.125" x 0.265"), AD, 42 BS, White	8
805477	Splint Plate Kit, DR07/85/97, Drum Gray	1
803916	Splint Plate, Drum Gray	1
235097	POP Rivet (0.125" x 0.265"), AD, 42 BS, White	8

DOORS

2. Match the supplied POP rivet to the proper adapter on the rivet gun.
3. Release the latch or latches of the cargo/baggage door.
4. Raise the door so that the seam is visible and accessible (Fig. 1).
5. Position splint so the center of the splint is aligned over the seam of the frame (Fig. 1), making sure the splint is straight and parallel along the door's edge.

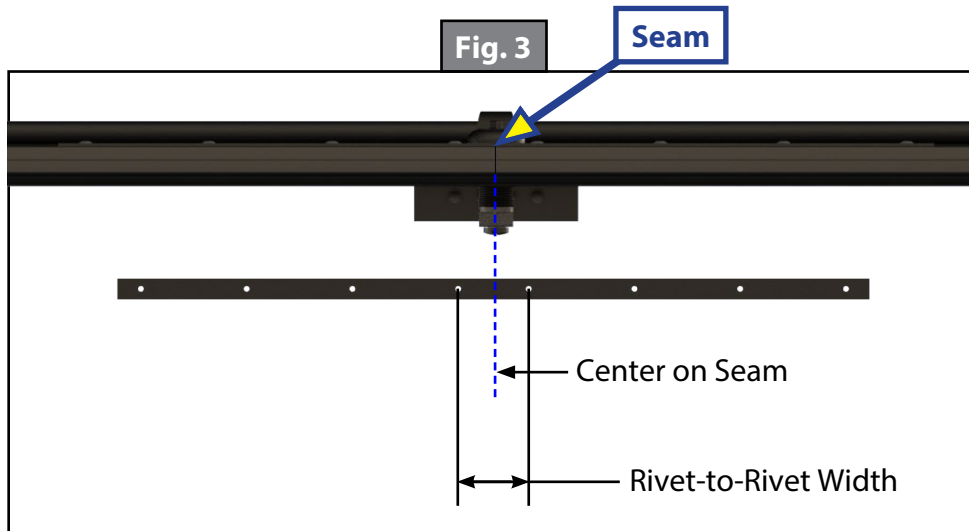


6. Center splint on bottom door edge (Fig. 2).

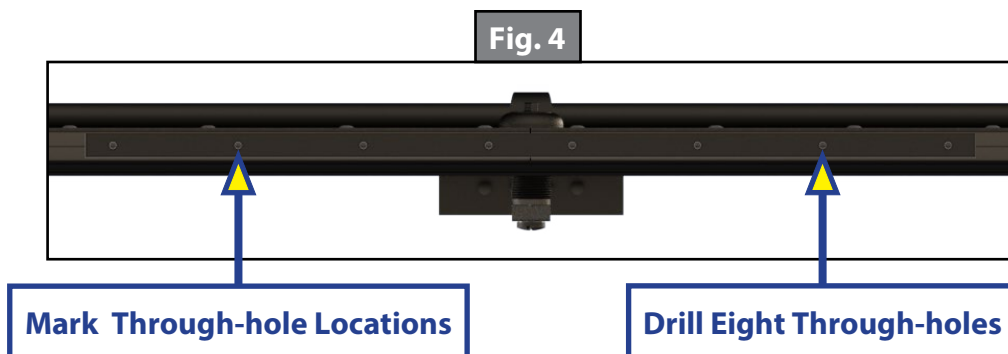


DOORS

7. Position splint on the bottom of the door frame (Fig. 3).



8. With the splint held in place, mark the center of the splint's mounting holes (Fig. 4) with a non-permanent marking method.
9. Set the splint aside, then use a 1/8" diameter drill bit to drill eight through-holes (Fig. 4) in the door's edge at the locations previously marked.





LIPPERT
COMPONENTS

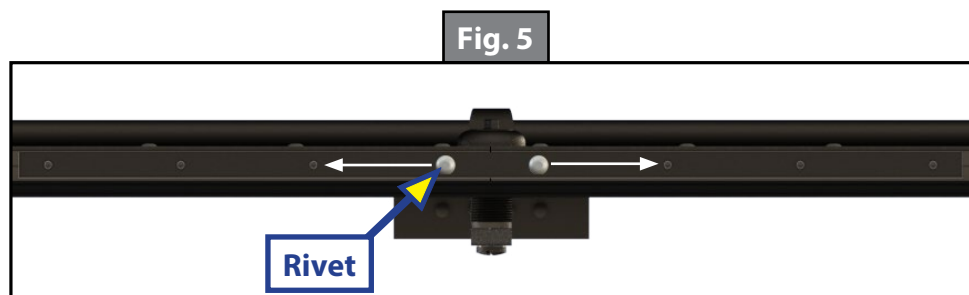
BOWING BAGGAGE DOOR SPLINT PLATE INSTALLATION

TI-323

DOORS

Procedure

1. Re-center the splint (steps 5-7), aligning mounting holes and through-holes (Fig. 4).
2. Starting with the two center holes, use a rivet gun to attach the splint to the door with the provided pop rivets (Fig. 5).
3. Working away from the center, install the remaining rivets into the splint and door.



4. Clean off any dirt or metal shavings.
5. To ensure the splint is properly installed, open and close the door—securing and releasing with latches—to make sure any bowing of the door has been eliminated.

As a supplier of components to the RV industry, safety, education and customer satisfaction are our primary concerns. Should you have any questions, please do not hesitate to contact us at (574) 537-8900 or by email at customerservice@lci1.com. Self-help tips, technical documents, product videos and a training class schedule are available at lci1.com or by downloading the MyLCI app.