



**LIPPERT  
COMPONENTS®**

**Purpose**

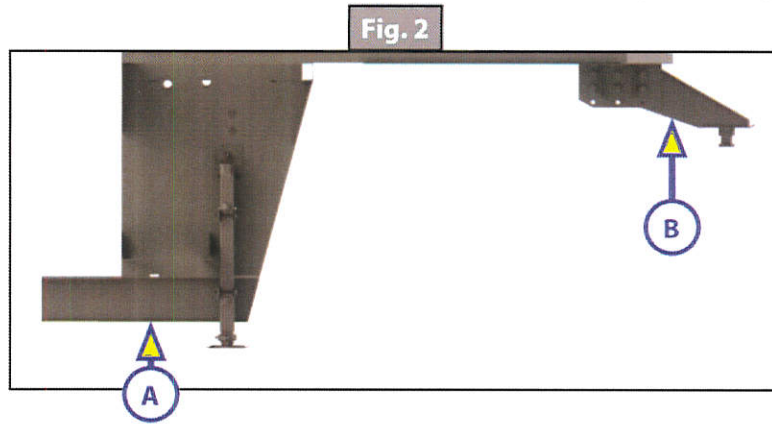
This document illustrates the location of the frame identification tags for both 5th wheels and travel trailers.

**NOTE:** Frame identification tags are adhesive-backed white labels with black print (Fig. 1).



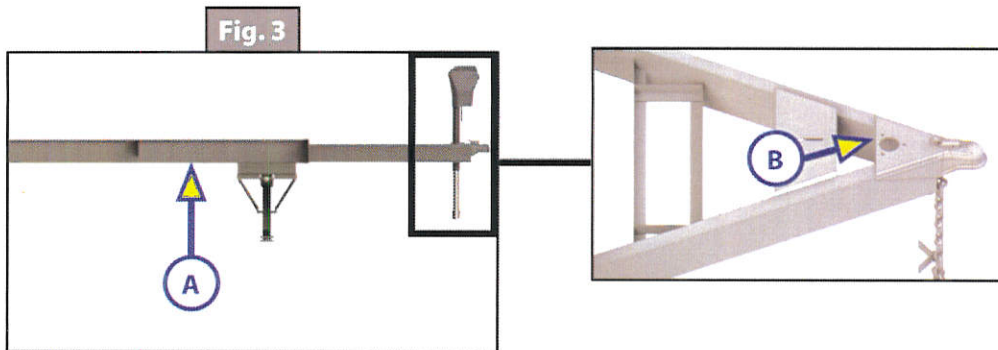
**5th Wheels**

On 5th wheel units, one frame tag is located on the underside of the trailer, behind the landing gear on the I-beam (Fig. 2A). Another frame tag is placed on the arm of the pin box (Fig. 2B).



**Travel Trailers**

On travel trailers, one frame tag is located on the underside of the trailer attached to the I-beam (Fig. 3A). The frame tag can be placed either on the roadside or curbside of the trailer. Another frame tag is placed roadside, on the inside of the A-frame, under the coupler (Fig. 3B).



Contact us: Lippert Components Inc. - <http://lci1.com/support> - Phone: (574) 537-8900 - Email: [customerservice@lci1.com](mailto:customerservice@lci1.com)



# AXLE HANGER MEASUREMENT PROCEDURE - SINGLE AXLE

TI-178

## FRAMES AND CHASSIS

### Purpose

This document outlines the Axle Hanger Measurement Procedure for a Single Axle trailer.

Fig. 1

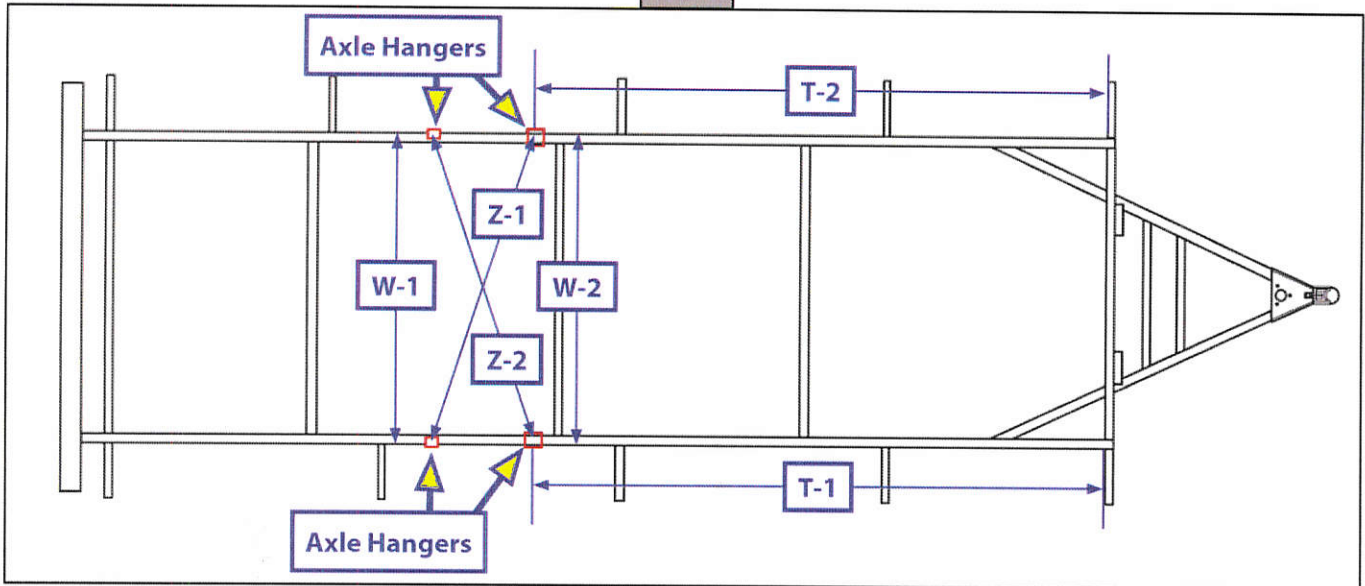
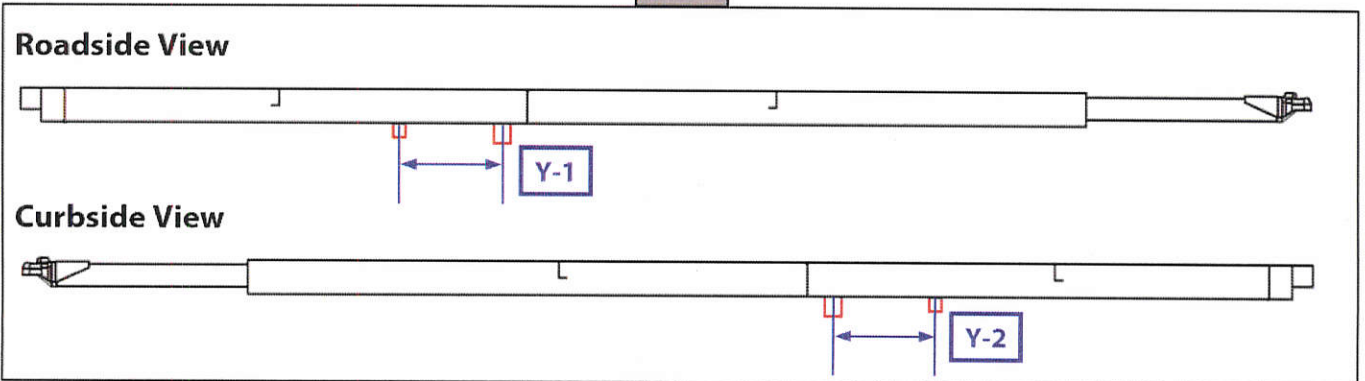


Fig. 2



### Measurements

T-1	T-2	W-1	W-2	Z-1	Z-2	Y-1	Y-2
112 <sup>3</sup> / <sub>4</sub>	112 <sup>3</sup> / <sub>4</sub>	70 <sup>1</sup> / <sub>2</sub>	70 <sup>1</sup> / <sub>2</sub>	75	75	26	25 <sup>3</sup> / <sub>4</sub>



# AXLE HANGER MEASUREMENT PROCEDURE - SINGLE AXLE

TI-178

## FRAMES AND CHASSIS

Fig. 3

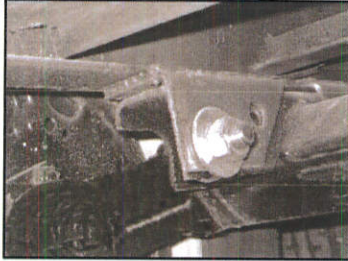


Fig. 4

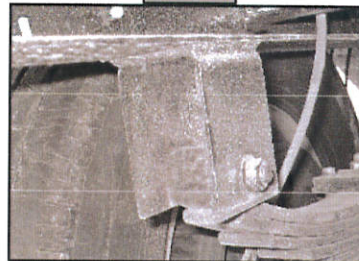


Fig. 5



### Procedure

1. Trailer must be pulled into work space straight and evenly.
2. When measuring axle hanger, measure where hanger meets I-beam (Figs. 3 and 4).

**NOTE:** Be sure to measure as high on the hanger as possible if other components interfere with a measurement point on the hanger.

3. On measurements W-1 and W-2 (Fig. 1), be sure to measure the top of hanger.
4. Measure T-1 and T-2 (Fig. 1) from center of axle hanger to intersection of main rail and front crossmember.
5. On measurements Z-1 and Z-2 (Fig. 1), measure from the rear hanger on one side to the front hanger on the opposite side.
6. Measure Y-1 and Y-2 (Fig. 2) on center of bolt.

**NOTE:** Please accompany this document with clear pictures of all points of issue. Be sure tire wear pictures are shot straight on (Fig. 5).

As a supplier of components to the RV industry, safety, education and customer satisfaction are our primary concerns. Should you have any questions, please do not hesitate to contact us at (574) 537-8900 or by email at [customerservice@lci1.com](mailto:customerservice@lci1.com). Self-help tips, technical documents, product videos and a training class schedule are available at [lci1.com](http://lci1.com) or by downloading the MyLCI app.